

Robotic Pool Cleaner BASIC 2

Operating Instructions

Contents

1. INTRODUCTION	2
2. SPECIFICATIONS	2
3. WARNINGS AND CAUTIONS.....	2
3.1. Warnings.....	2
3.2. Cautions.....	2
4. POOL CLEANER PARTS.....	3
5. USING THE POOL CLEANER.....	4
5.1. Setup.....	4
5.2. Putting the Pool Cleaner into the pool.....	4
5.3. Removing the Pool Cleaner from the pool.....	5
5.4. Maintenance.....	6
5.4.1. Cleaning the filtration system.....	6
5.4.2. Cleaning the impeller.....	8
5.5. Off-season storage	9
6. STAND ASSEMBLY.....	55

Robotic Pool Cleaner BASIC 2

Operating Instructions

1. INTRODUCTION

Thank you for purchasing a Maytronics Pool Cleaner.

We are sure that your Maytronics Robotic Pool Cleaner will provide you with reliable, convenient and cost effective pool cleaning. Its reliable filtration in all pool conditions and all-surface climbing brush enhance maximum pool hygiene.

The Robotic Pool Cleaner by Maytronics deliver advanced cleaning technologies, long lasting performance and easy maintenance.

2. SPECIFICATIONS

Motor protection: IP 68

Minimum depth: 0.80m / 2.6ft

Maximum depth: 5m / 16.4ft

Power Supply

Digital "Switch-Mode" Power Supply

- Input - 100-250 AC Volts
- 50-60 Hertz
- 180 Watt
- Output - <30 VDC
- IP 54

3. WARNINGS AND CAUTIONS

3.1. Warnings



- Use the originally supplied power supply only
- Ensure the electrical outlet is protected by a ground fault interrupter (GFI) or an earth leakage interrupter (ELI)
- Keep the power supply out of standing water
- Position the power supply at least 3m / 10ft away from the edge of the pool
- Do not enter the pool while the pool cleaner is working
- Unplug the power supply before servicing

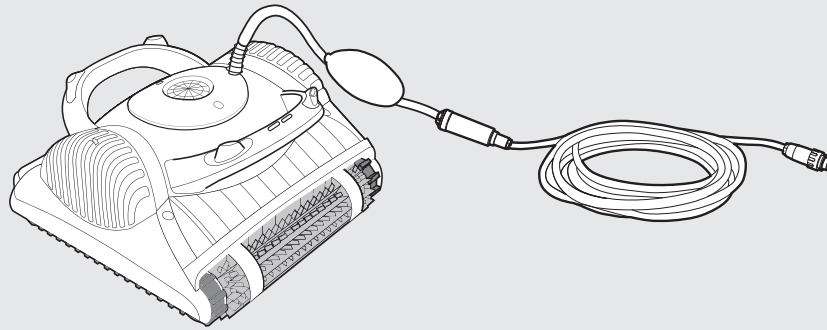
3.2. Cautions

Use the Pool Cleaner in the following water conditions only:

Chlorine	Max 4 ppm
pH	7.0 - 7.8
Temperature	6 – 34°C / 43-93°F
NaCl	Maximum = 5000 ppm

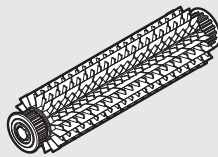
4. POOL CLEANER PARTS

► Robotic Pool Cleaner BASIC 2

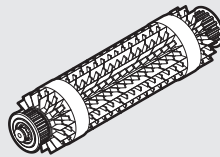


► Brushes

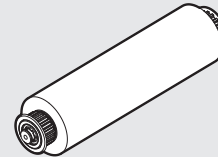
There are three types of optional brushes, each designed to provide optimal traction on different pool surfaces. Only one type set is provided with your robot Pool Cleaner.



PVC Brush
For concrete, PVC,
fiberglass and liner



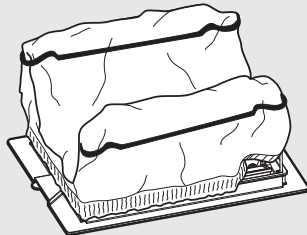
Combined Brush
All surface climbing brush
ideal for most pool surfaces



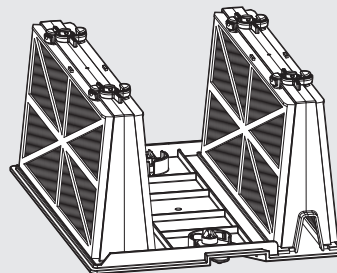
Wonder (foam) Brush
For smooth ceramic tiles

► Filtration

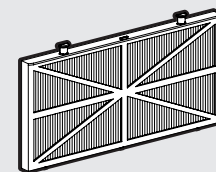
There are two options of filtration system: filter bag or cartridge. Only one system type is provided with your robot pool cleaner.



Bottom lid and filter Bag

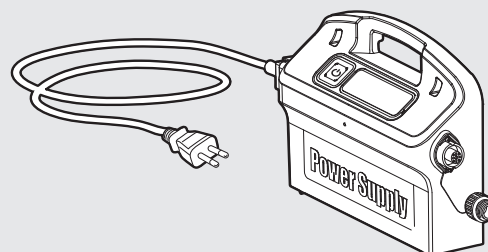


Cartridge with net filters (x4)



or ultra-fine filter (x4)

► Power Supply Unit

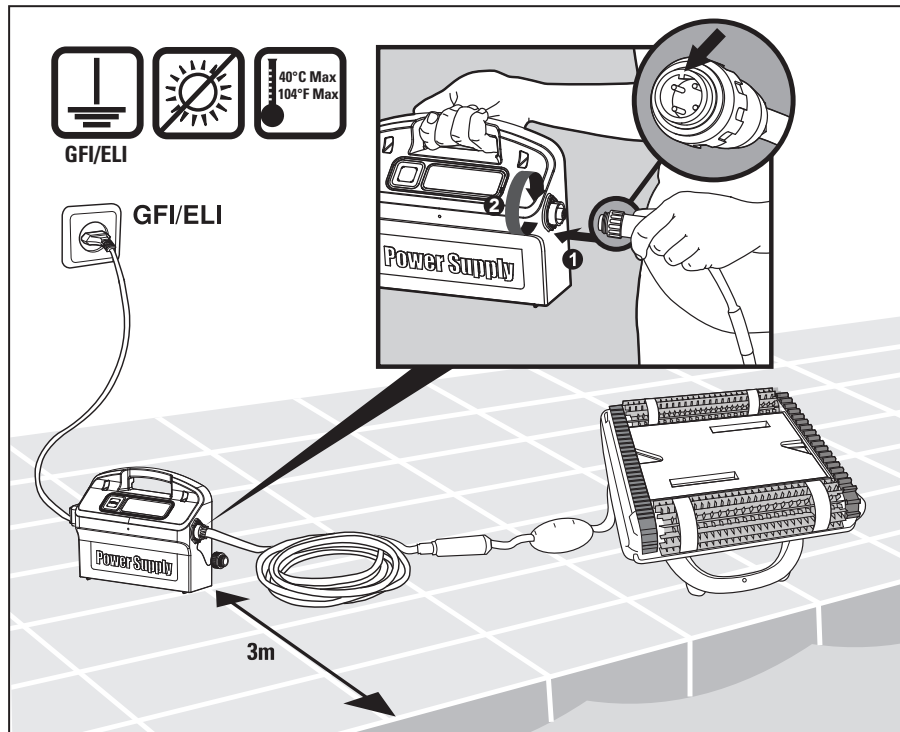


5. USING THE POOL CLEANER

5.1. Set Up

Position the power supply so that it is approximately in the middle of the long side of the pool at a distance of 3m / 10ft.

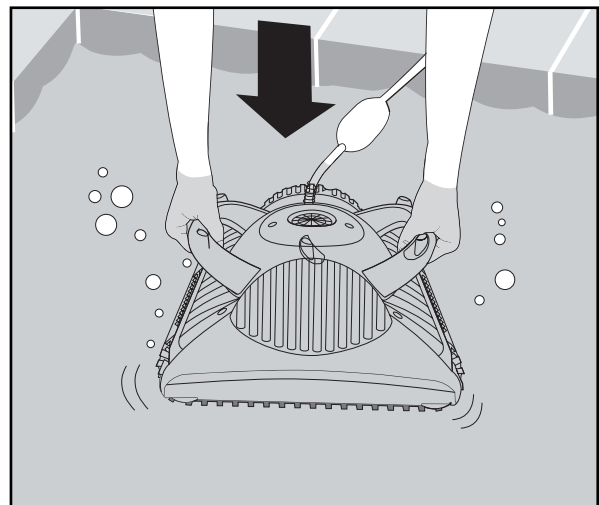
Attach the floating cable to the power supply by inserting it with the notch on the connector (1) lined up with the groove in the socket on the power supply and turning clockwise (2).



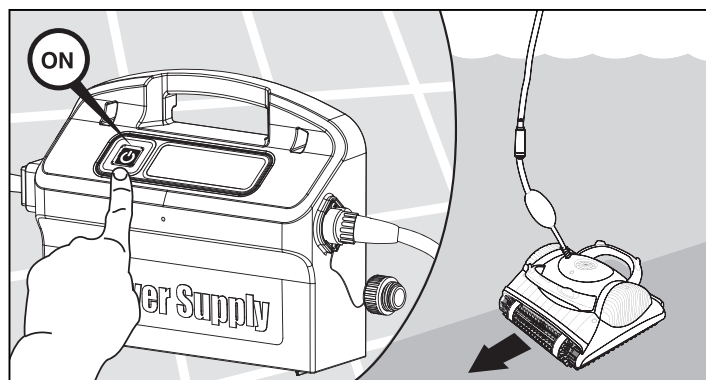
5.2. Putting the Pool Cleaner into the pool

If Wonder (foam) brush/ Wonder rings are dry, soak them in water until soft.

Shake the Pool Cleaner from side to side or turn it upside down to release trapped air. Let it sink to the pool floor.



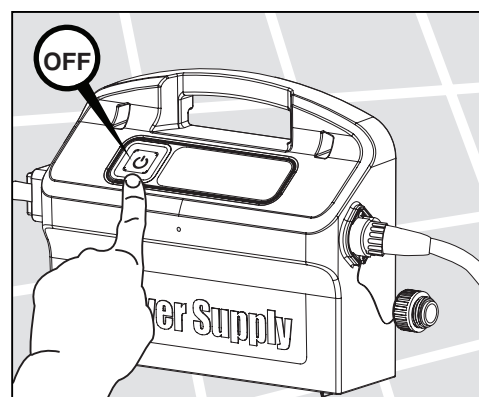
Turn the power supply ON.



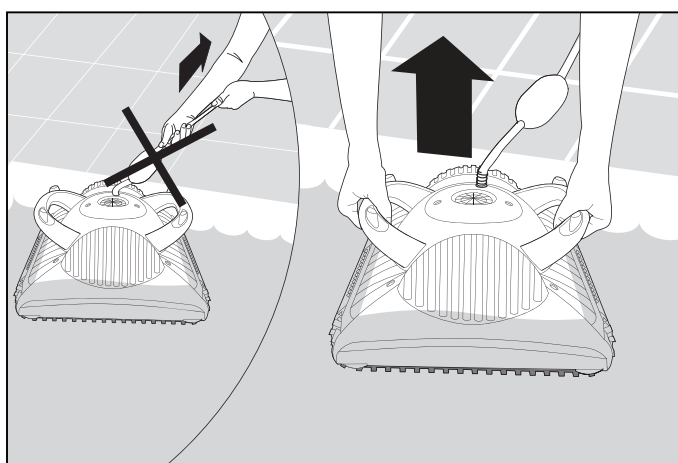
5.3. Removing the Pool Cleaner from the pool

The Pool Cleaner will perform automatic shut-off at the end of the cleaning cycle.

 Turn OFF and unplug the power supply.



Using the floating cable, bring the Pool Cleaner to the pool's edge.




 DO NOT PULL THE POOL CLEANER FROM THE POOL USING THE CABLE.

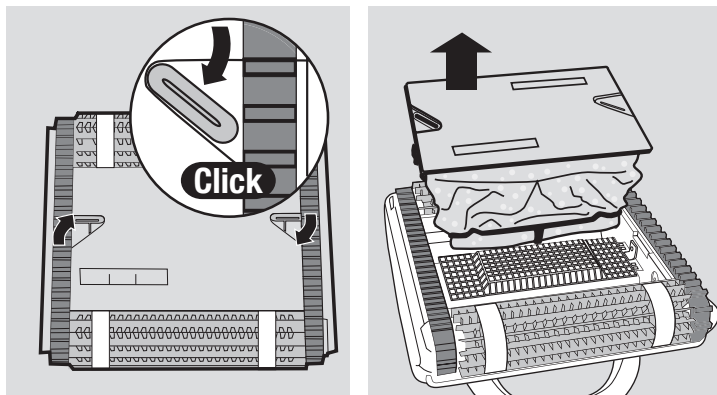
5.4. Maintenance

5.4.1. Cleaning the filtration system:

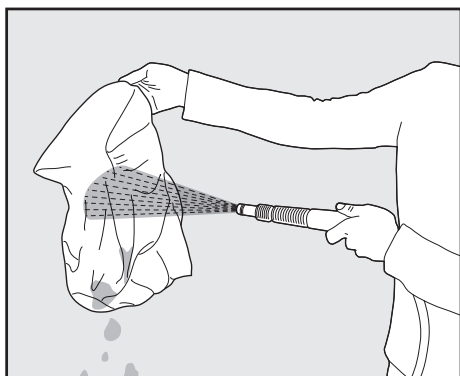
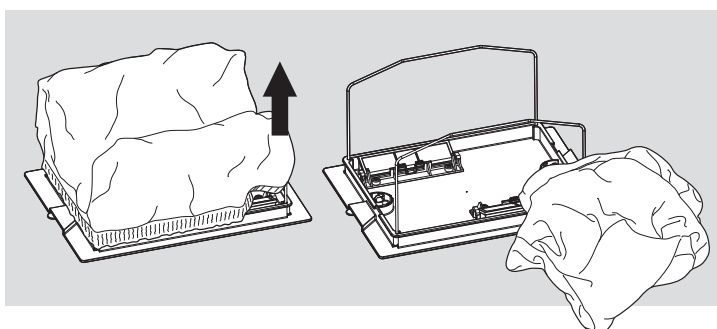
Cleaning the filter bag

 Unplug the power supply.

Turn the Pool Cleaner upside-down.
Open the bottom lid.



Remove the filter bag.

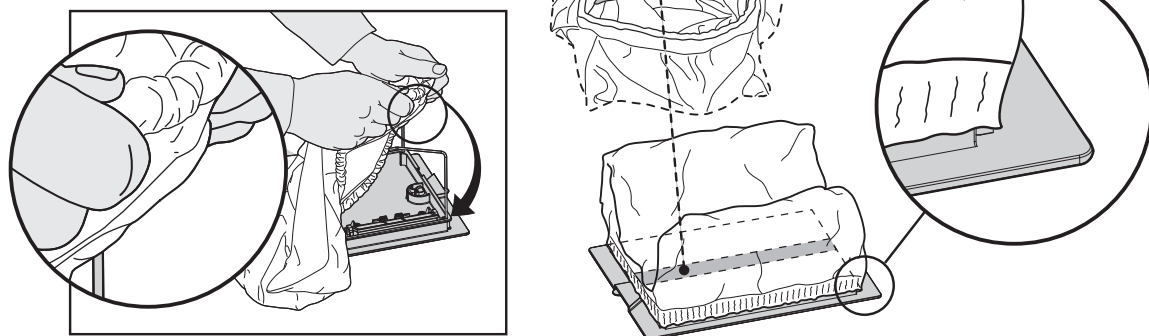


Clean the filter bag with a hose.
We recommend that you periodically wash the filter bag in a washing machine using the gentle cycle program.
Periodically clean the brushes with a hose.

Replacing the filter bag


Put the filter bag over the frame so that the strap is in the middle of the shortest side.

Make sure that filter bag is positioned properly on the frame.

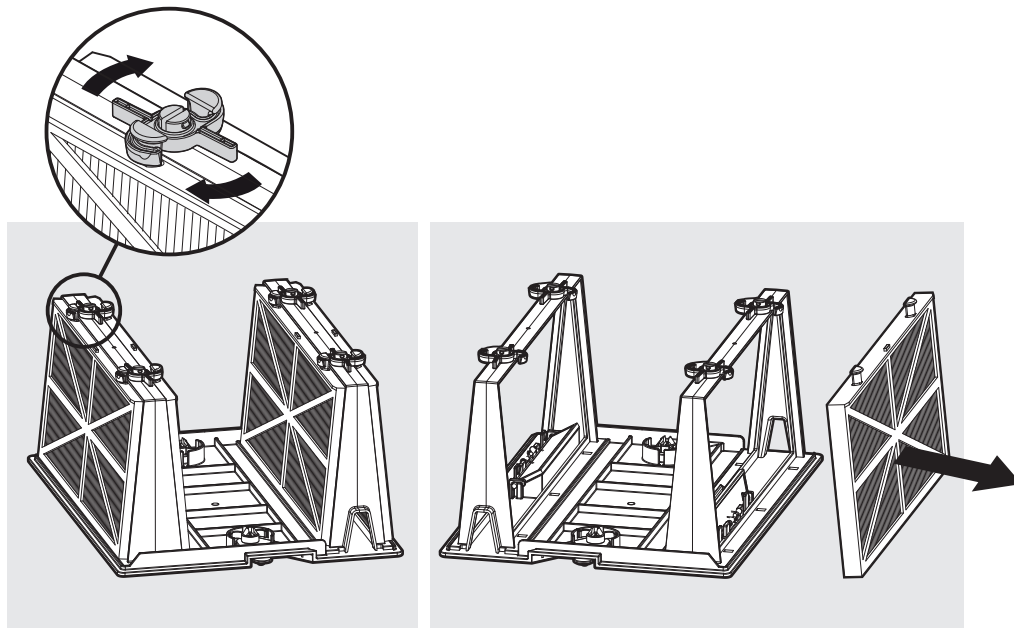
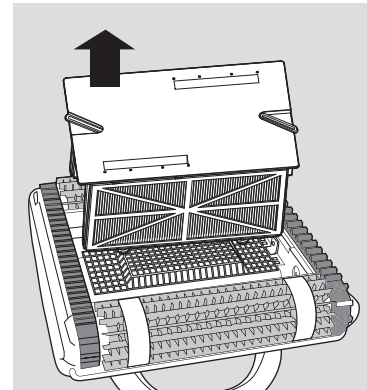
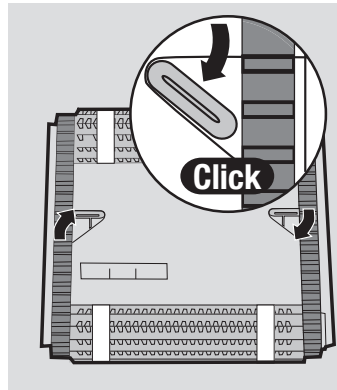


Cleaning the cartridge filters

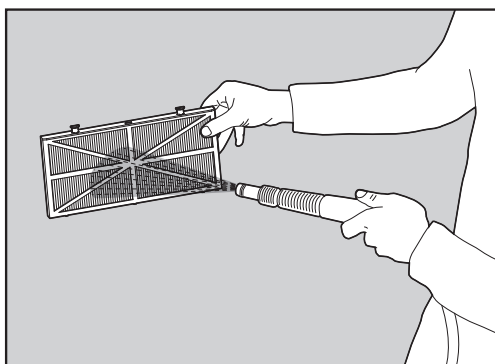
Note: Don't let the cartridge filters dry out before cleaning.

 Unplug the power supply.

With the pool cleaner upside down open the bottom lid and pull it out.

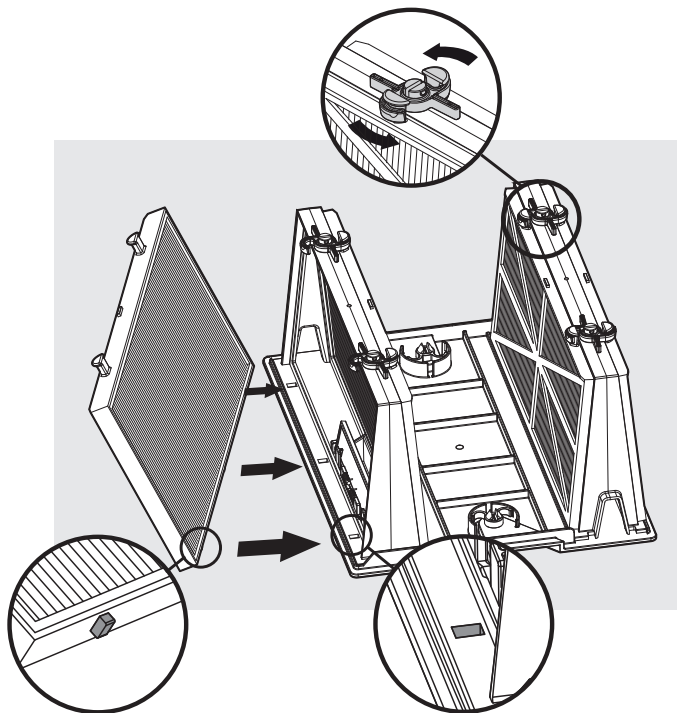


Open the clips and remove the filters.



Clean the filters with a hose.

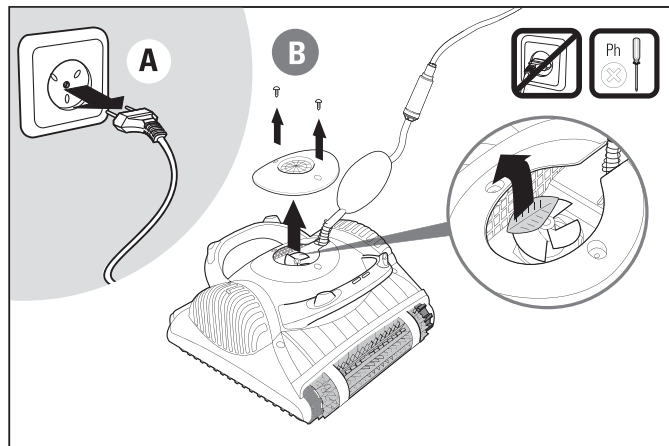
Insert the filters with the plastic backing facing out.
 Insert the cartridge unit.



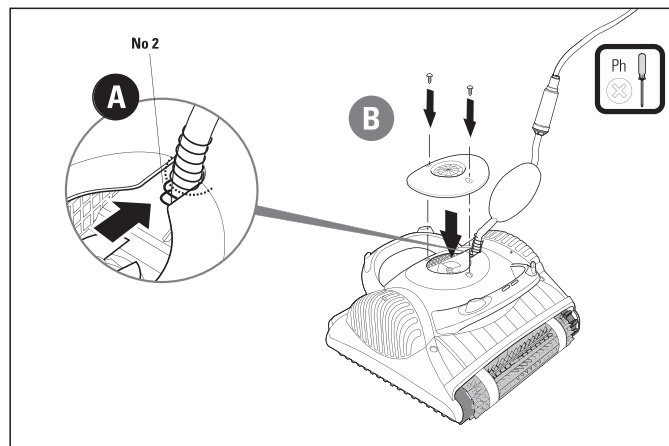
5.4.2. Cleaning the impeller

 **Unplug the power supply.**

If you notice debris trapped in the impeller open the impeller and remove the debris.

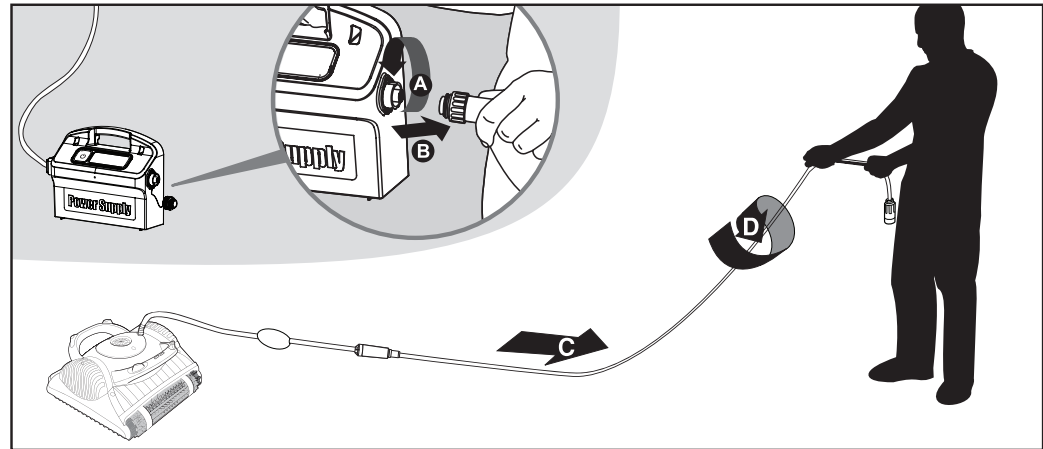


Place the impeller cover at an angle so that the notch is on the second ring of the spring. Press down on the impeller cover in the direction of the spring, pushing it into place. Replace the screws.



Cable

To remove the kinks, stretch the cable out completely and let it sit for at least a day in the sun.



5.5. Off-season storage

If the pool cleaner will not be in use for an extended period, perform the following storage steps:

- Make sure that no water is left in the pool cleaner.
- Thoroughly clean the filter bag or cartridge and insert in place.
- Roll up the cable so that it has no kinks.
- Store the pool cleaner upright on the Stand in a protected area out of direct sun/rain/frost at a temperature of between 5°-45°C / 41°-113°F.

