

**EN**

# Robotic Pool Cleaner Dolphin Wave 30 Operating Instructions

## Contents

1. INTRODUCTION .....	2
2. SPECIFICATIONS .....	2
3. WARNINGS AND CAUTIONS .....	2
3.1 Warnings.....	2
3.2 Cautions.....	2
4. POOL CLEANER PARTS.....	3
5. USING THE POOL CLEANER.....	4
5.1 Setup.....	4
5.2 Putting the Pool Cleaner into the pool.....	5
5.3 Removing the Pool Cleaner from the pool.....	5
5.4 Maintenance.....	6
5.5 Off-season storage .....	7
CADDY ASSEMBLY .....	50

# Robotic Pool Cleaner Dolphin Wave 30

## Operating Instructions

### 1. INTRODUCTION

Thank you for purchasing a Maytronics Robotic Pool Cleaner.

We are sure that your Maytronics Robotic Pool Cleaner will provide you with reliable, convenient and cost effective pool cleaning. Its reliable filtration in all pool conditions and all-surface climbing brush enhance maximum pool hygiene.

The Robotic Pool Cleaners by Maytronics deliver advanced cleaning technologies, long lasting performance and easy maintenance.

### 2. SPECIFICATIONS

Motor protection: IP 68

Minimum depth: 0.80m/2.6ft

Maximum depth: 5m/16.4ft

Digital "Switch mode" Power supply

Input 100-250 AC Volts

50-60 Hertz ; 180 Watt

Output <30 VDC ; IP 54

### 3. WARNINGS AND CAUTIONS

#### 3.1 Warnings



- Use the originally supplied power supply only
- Ensure the electrical outlet is protected by a ground fault interrupter (GFI) or an earth leakage interrupter (ELI)
- Keep the power supply out of standing water
- Position the power supply at least 3m/10ft away from the edge of the pool
- Do not enter the pool while the pool cleaner is working
- Unplug the power supply before servicing

#### 3.2 Cautions

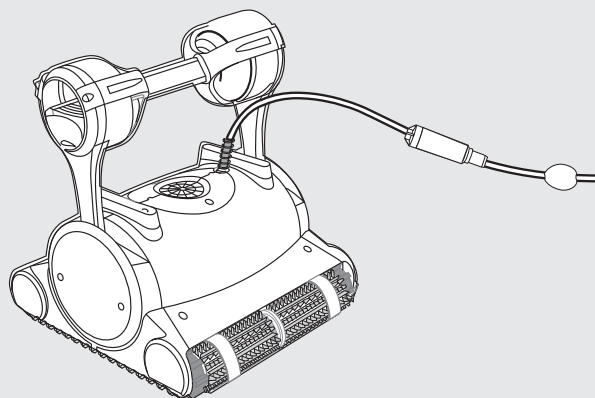
When not in use store the Pool Cleaner on the Caddy in a shaded area.

Use the Pool Cleaner in the following water conditions only:

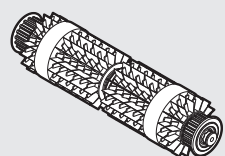
Chlorine	Maximum 4 ppm
pH	7.0 - 7.8
Temperature	6 – 34°C / 43-93°F
NaCl	Maximum 5000 ppm

## 4. POOL CLEANER PARTS

### ► Robotic Pool Cleaner Model Dolphin Wave 30

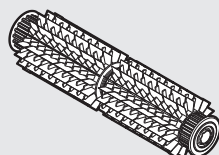


### ► Brushes

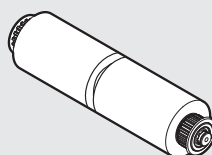


**Combined Brush**  
All surface climbing brush  
ideal for most pool surfaces

Optional Brushes

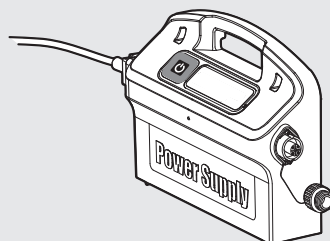


**PVC Brush**  
For concrete, PVC,  
fiberglass and liner.



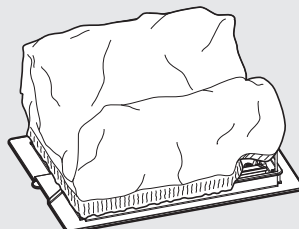
**Wonder Brush**  
For smooth ceramics.

### ► Power supply unit



### ► Filtration

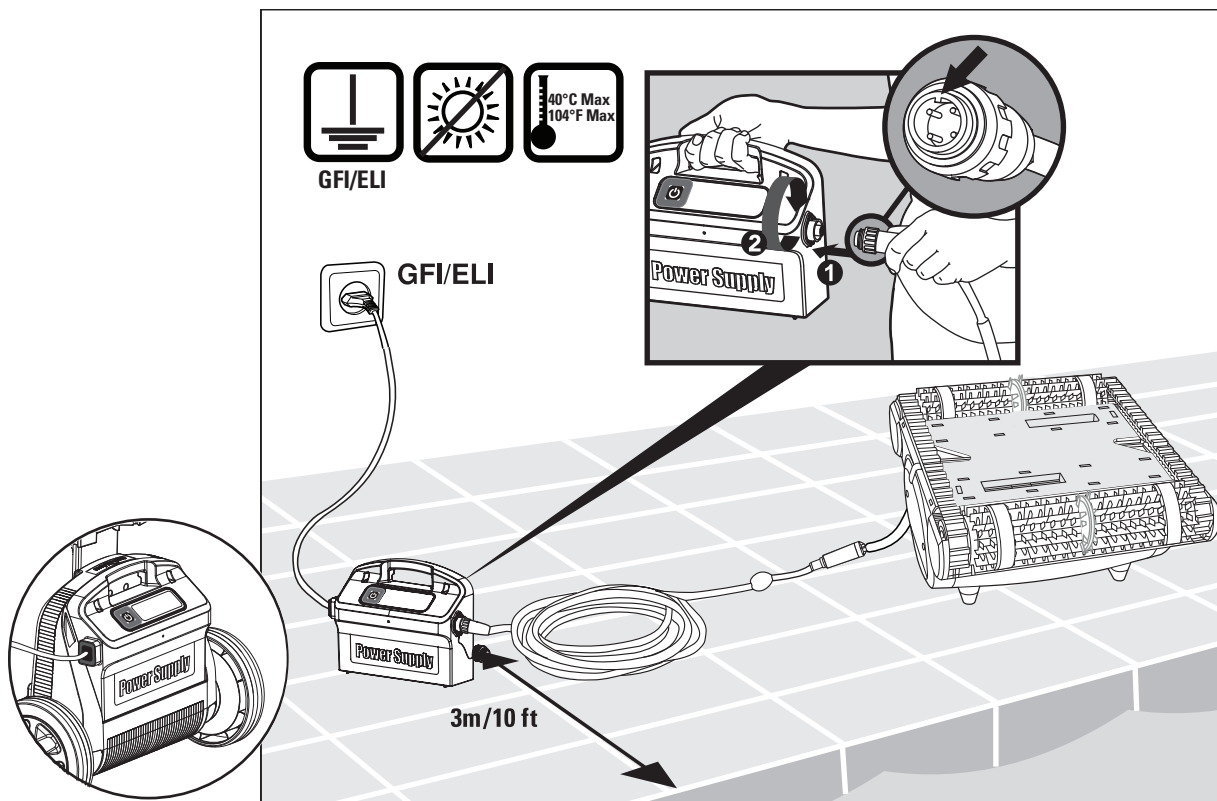
Bottom lid and filter Bag



## 5. USING THE POOL CLEANER

### 5.1 Set Up

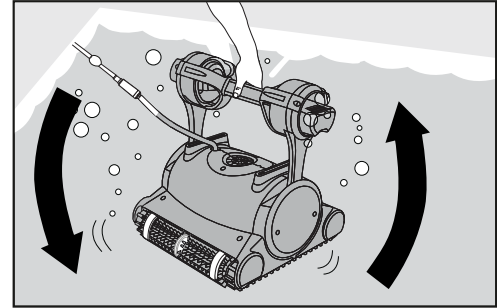
Attach the floating cable to the power supply by inserting it with the notch on the connector (1) lined up with the groove in the socket on the power supply and turning clockwise (2).



## 5.2 Putting the Pool Cleaner into the pool

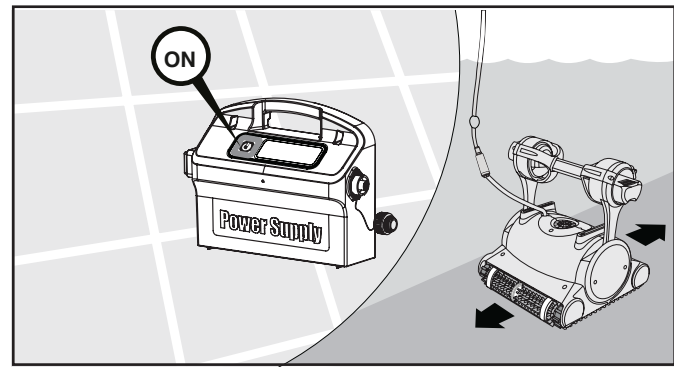
If Wonder brush/ Wonder rings are dry, soak them in water until soft.

Shake the robot from side to side or turn it upside down to release trapped air. Let it sink to the pool floor.



Turn the power supply ON.

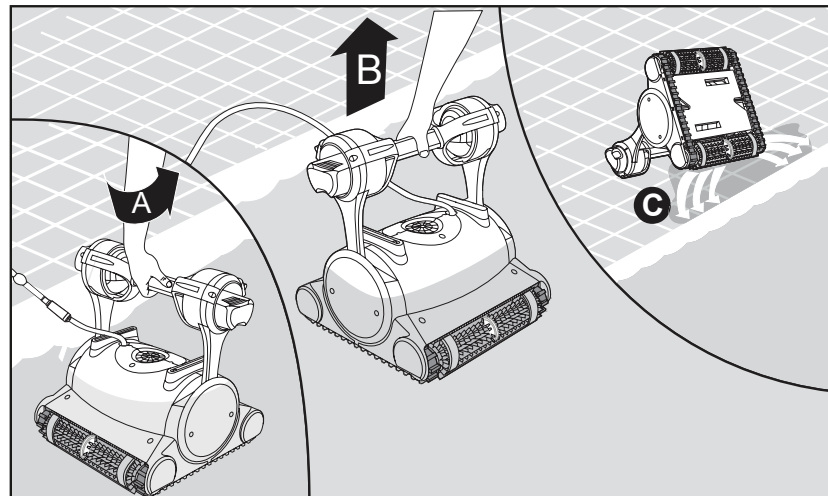
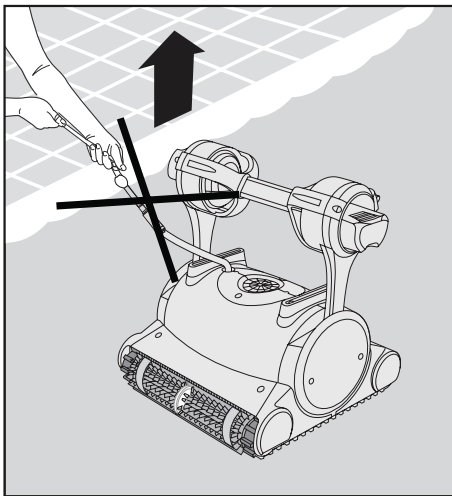
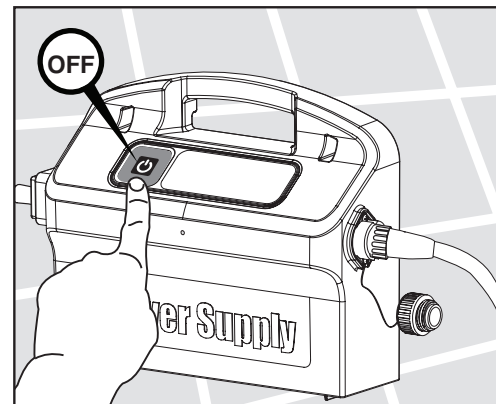
The Pool Cleaner will now operate until it has reached the end of the cleaning cycle.



## 5.3 Removing the Pool Cleaner from the pool

The robot will perform automatic shut-off at the end of the cleaning cycle.

 Turn OFF and unplug the power supply.

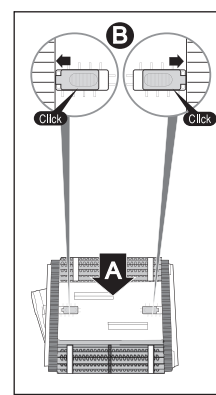
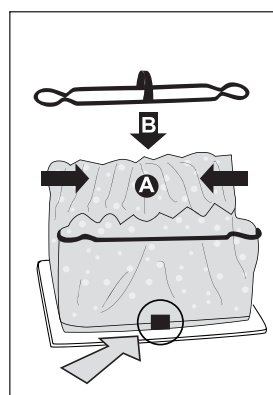
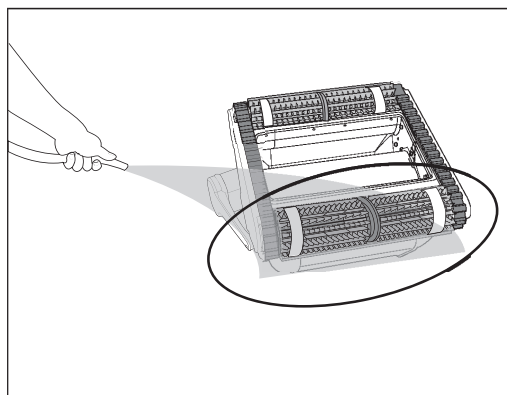
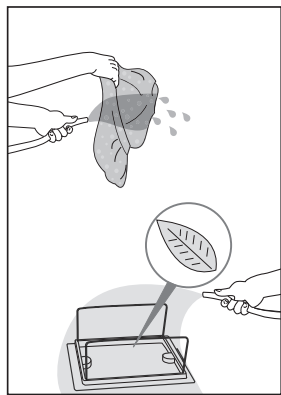
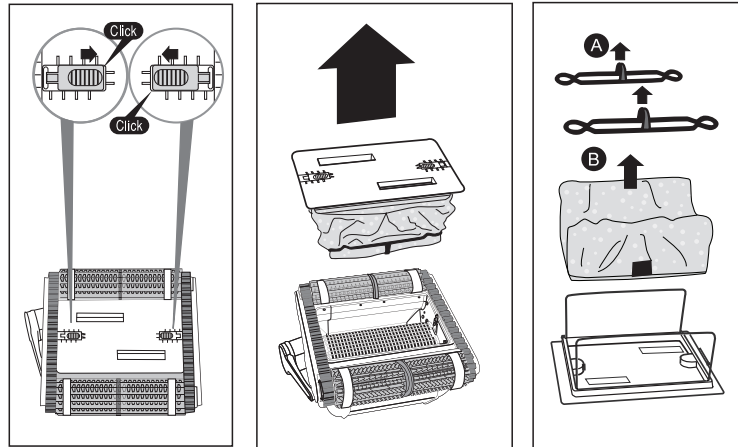


Using the floating cable, bring the Pool Cleaner to the pool's edge. Using the handle remove the Pool Cleaner from the pool.

 DO NOT PULL THE POOL CLEANER FROM THE POOL USING THE CABLE.

## Filter bag

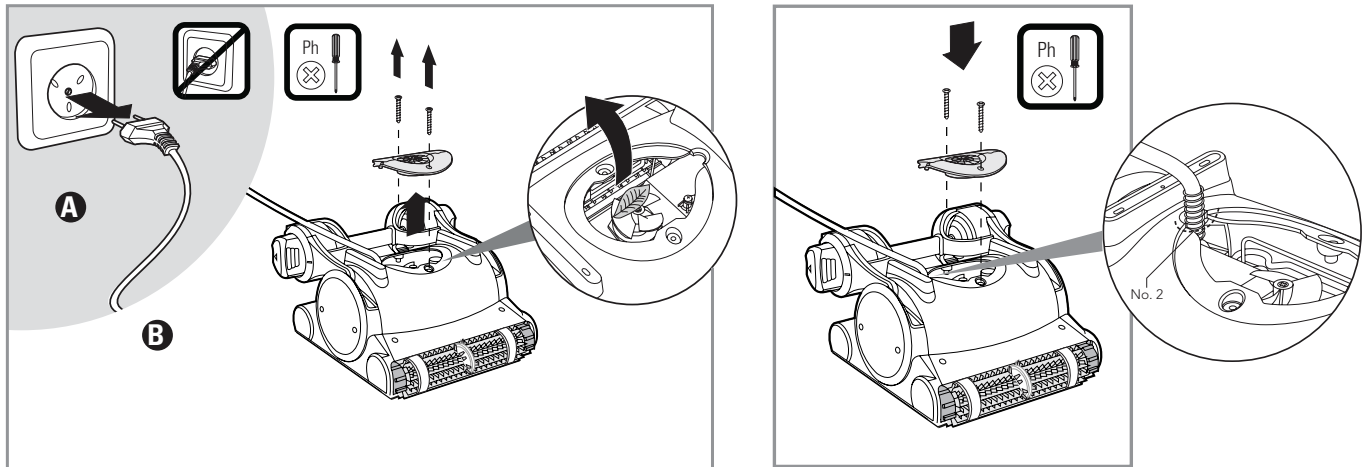
Clean the filter bag with a hose.  
Periodically clean the brushes with a hose.  
It is recommended to periodically wash  
the filter bag in a washing machine.  
Use gentle cycle program.



## Cleaning the impeller

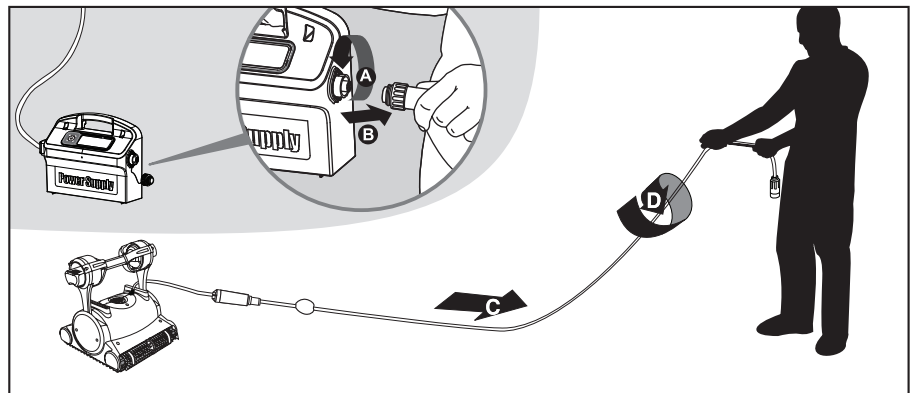
 **Unplug the power supply.**

If you notice debris trapped in the impeller open the impeller and remove the debris.



## Cable

To remove the kinks, stretch the cable out completely and let it sit for at least a day in the sun.



## 5.5 Off-season storage

If the pool cleaner will not be in use for an extended period, perform the following storage steps:

- Make sure that no water is left in the pool cleaner.
- Thoroughly clean the filter bag and insert in place.
- Roll up the cable so that it has no kinks and place on the Caddy.
- Store the pool cleaner upright on the Caddy in a protected area out of direct sun/rain/frost at a temperature of between 5°- 45°C / 41°- 113°F .

